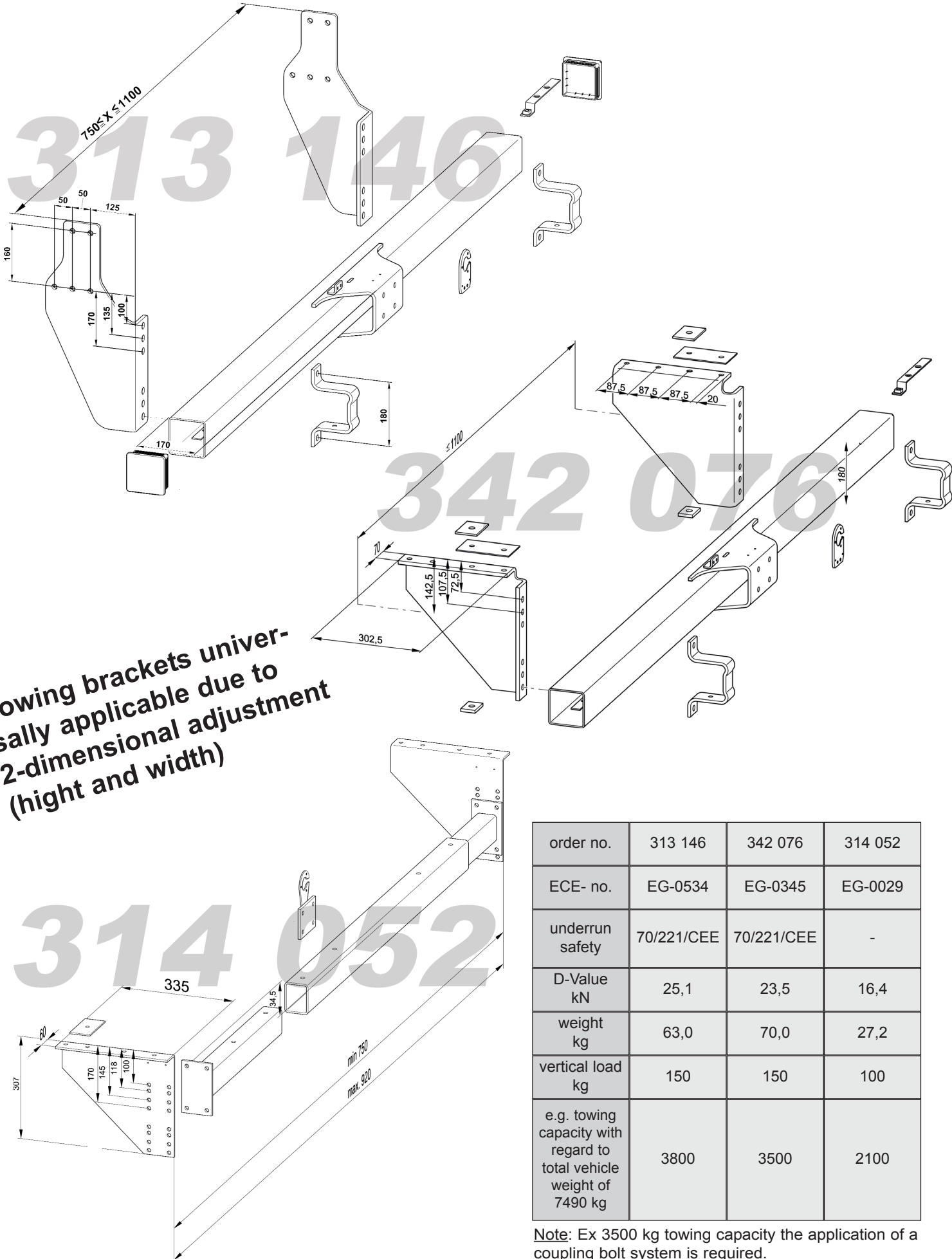


Technical data for towing brackets

all measurements in mm



Towing brackets univer-
sally applicable due to
2-dimensional adjustment
(height and width)

order no.	313 146	342 076	314 052
ECE- no.	EG-0534	EG-0345	EG-0029
underrun safety	70/221/CEE	70/221/CEE	-
D-Value kN	25,1	23,5	16,4
weight kg	63,0	70,0	27,2
vertical load kg	150	150	100
e.g. towing capacity with regard to total vehicle weight of 7490 kg	3800	3500	2100

Note: Ex 3500 kg towing capacity the application of a coupling bolt system is required.